



DB-57060-526

RF power amplifier using 1 x PD57060
N-channel enhancement-mode lateral MOSFETs

Feature

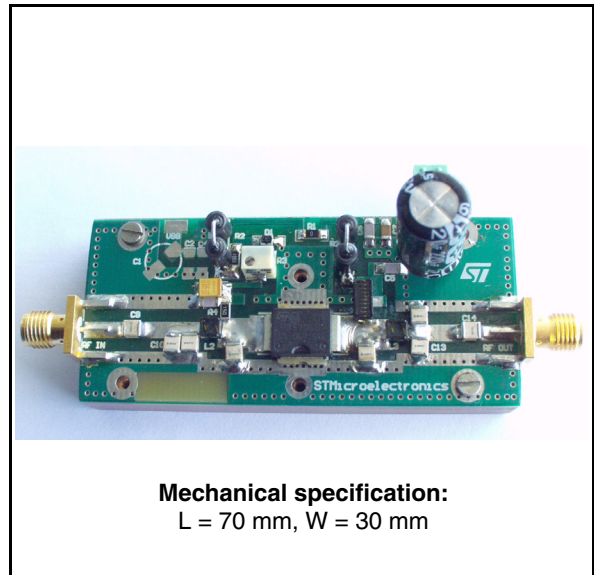
- Excellent thermal stability
- Frequency: 486 - 526MHz
- Supply voltage: 26V
- Output power: 20W
- Operation: class AB
- IMD3 (2 tones test): < -36 dBc @ 20W avg
- Load mismatch: 20:1
- BeO free amplifier
- In compliance with the 2002/95/EC european directive

Description

The DB-57060-526 is a common source N-channel Enhancement-Mode Lateral Field Effect RF power amplifier designed for UHF repeater applications

Order code

- DB-57060-526



Contents

1	Electrical data	3
	1.1 Maximum ratings	3
2	Electrical characteristics	3
3	Typical performance	4
4	Test circuit	5
5	Circuit layout	6
6	Mounting indications	8
7	Package mechanical data	9
8	Revision history	12

1 Electrical data

1.1 Maximum ratings

Table 1. Absolute maximum ratings

Symbol	Parameter	Value	Unit
V_{DD}	Supply voltage	32	V
I_D	Drain current	2.5	A
T_{CASE}	Operating case temperature	-20 to +85	°C
T_A	Max. ambient temperature	+55	°C

2 Electrical characteristics

$T_A = +25\text{ °C}$, $V_{DD} = 26\text{V}$, $I_{dq} = 200\text{mA}$

Table 2. Electrical specification

Symbol	Test conditions	Min	Typ	Max	Unit
Freq	Frequency range	486		526	MHz
P_{OUT}			20		W
Gain			15.5 ± 0.6		dB
Efficiency	@ $P_{OUT} = 20\text{W}$		34 - 39		%
IMD3	2 tones : 1MHz spacing - 20W avg		-36		dBc
VSWR	Load Mismatch all phases @ $P_{OUT} = 20\text{W}$			20:1	

3 Typical performance

Figure 1. Gain vs frequency

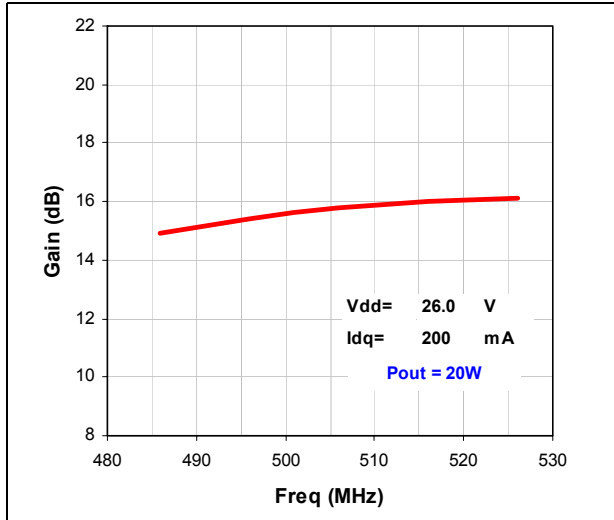


Figure 2. Efficiency vs frequency

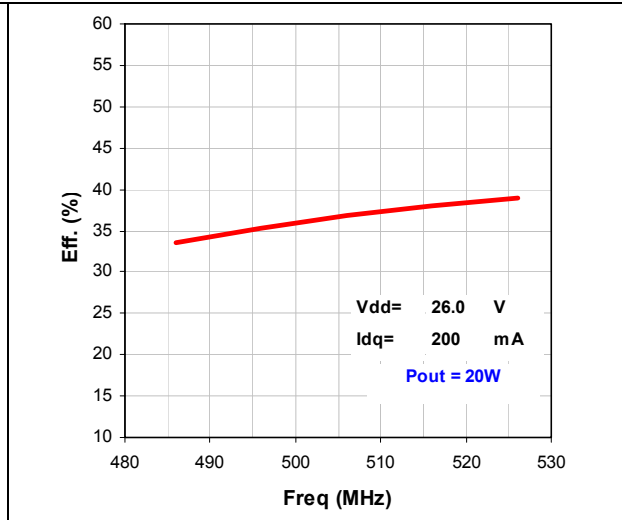
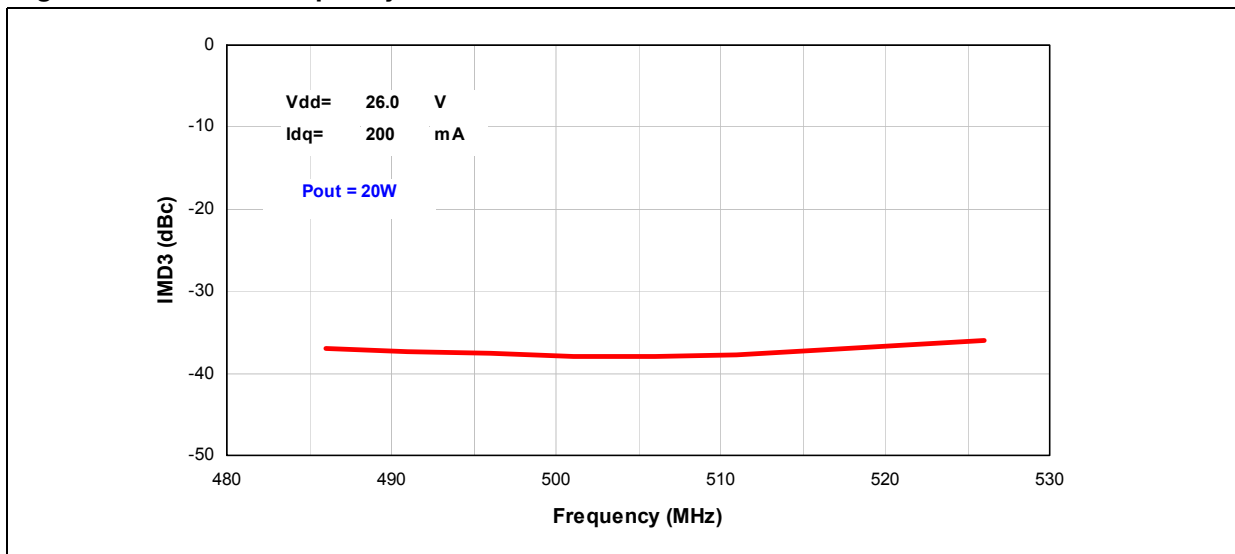
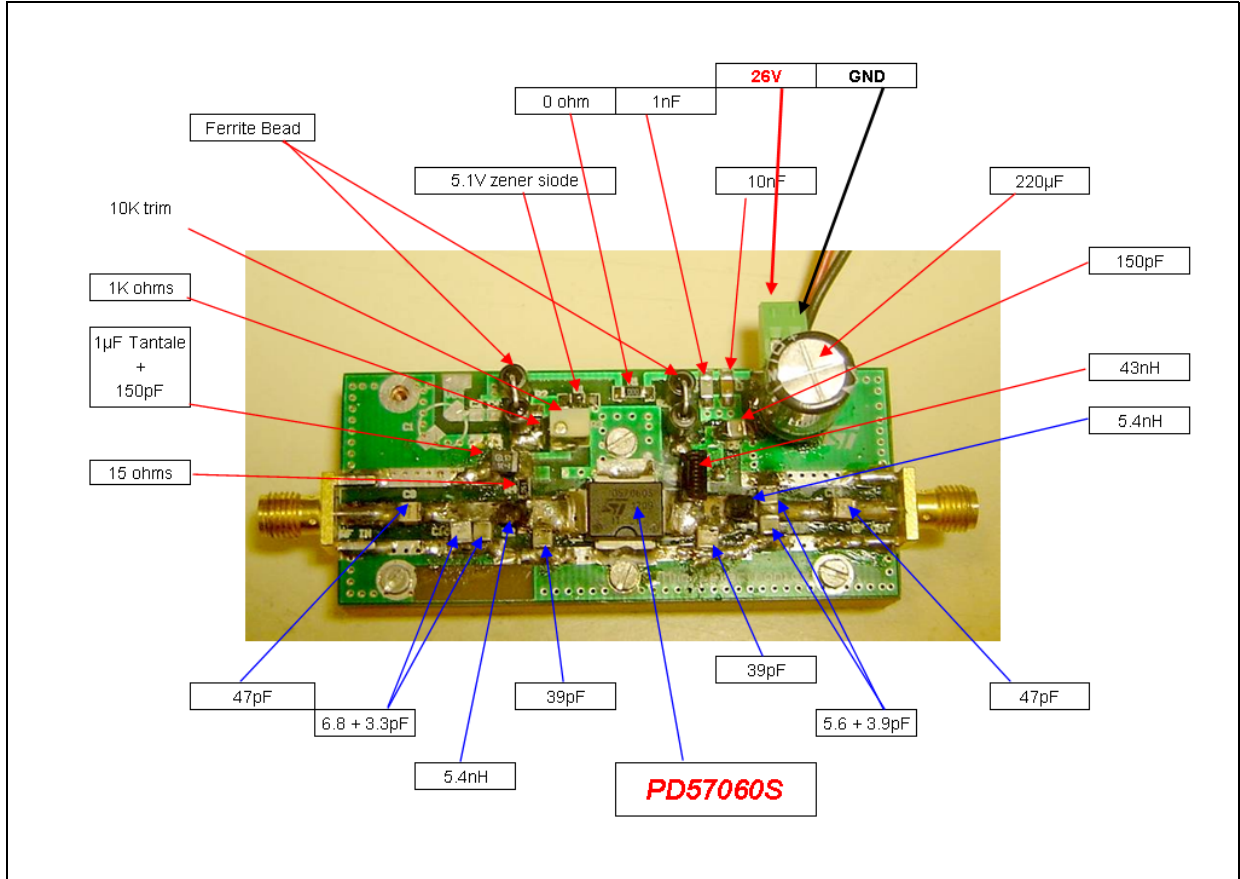


Figure 3. IMD3 vs frequency



4 Test circuit

Figure 4. Test circuit schematic



5 Circuit layout

Figure 5. Circuit layout

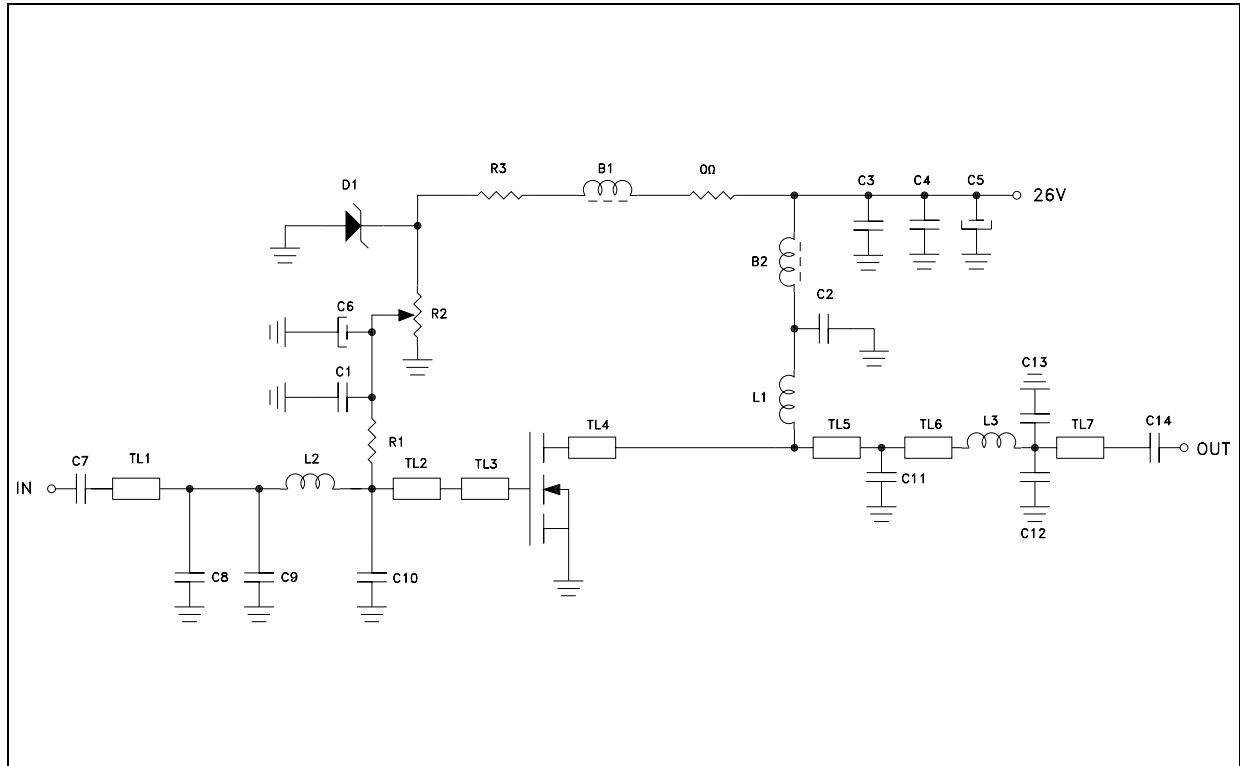


Table 3. Component part list

Part type	Component ID	Description	Value	Case size	Manufacturer	Part Code
CAP	C1	Capacitor	150pF	1206	Murata	GRM42-6C0G151J50
CAP	C2	Capacitor	150pF	1206	Murata	GRM42-6C0G151J50
CAP	C3	Capacitor	1nF	1206	Murata	GRM42-6C0G102J50
CAP	C4	Capacitor	10nF	1206	Murata	GRM42-6X7R104K50
Electrolytic CAP	C5	Capacitor	220μF			
Tantale CAP	C6	Capacitor	1μF			
CAP	C7	Capacitor	47pF	100B	ATC	470
CAP	C8	Capacitor	3.3pF	100B	ATC	3R3
CAP	C9	Capacitor	6.8pF	100B	ATC	6R8

Table 3. Component part list

Part type	Component ID	Description	Value	Case size	Manufacturer	Part code
CAP	C10	Capacitor	39pF	100B	ATC	390
CAP	C11	Capacitor	39pF	100B	ATC	390
CAP	C12	Capacitor	5.6pF	100B	ATC	5R6
CAP	C13	Capacitor	3.9pF	100B	ATC	3R9
CAP	C14	Capacitor	47pF	100B	ATC	470
TL	TL1, TL7	Transmission Line	W = 2.87 mm L = 6 mm			
TL	TL2	Transmission Line	W = 4.9 mm L = 5 mm			
TL	TL3, TL4	Transmission Line	W = 6 mm L = 3 mm			
TL	TL5	Transmission Line	W = 4.9 mm L = 2.5 mm			
TL	TL6	Transmission Line	W = 4.9 mm L = 2.5 mm			
Ferrite Bead	B1	Ferrite Bead			PANASONIC	EXCELDRC35C
Ferrite Bead	B2	Ferrite Bead			PANASONIC	EXCELDRC35C
Inductor	L1	Inductor	43nH		Coilcraft Mini Spring	B10TJ
Inductor	L2	Inductor	5nH		Coilcraft Mini Spring	A02TJ
Inductor	L3	Inductor	5nH		Coilcraft Mini Spring	A02TJ
Transistor	PD57060	LD MOS			STMicroelectronics	PD57060S
Resistor	R1	Resistor	15	1206	TYCO ELECTRONICS	01623440-1
POT	R2	Potentiometer	10K		BOURNS ELECTRONICS	3214W-1-103E
Resistor	R3	Resistor	1K Ω	1206	TYCO ELECTRONICS	01623440-1
SMA-CONN	RF in	SMA-CONN			Johnson	142-0701-801
SMA-CONN	RF out	SMA-CONN			Johnson	142-0701-801
ZENER	D1	Zener Diode	5.1V	SOD110	PHILIPS	BZX284C5V1
BOARD	FR-4 THk=0.060" 2OZ Cu Both Sides					

6 Mounting indications

Figure 6. PowerSO-10 mounting indications

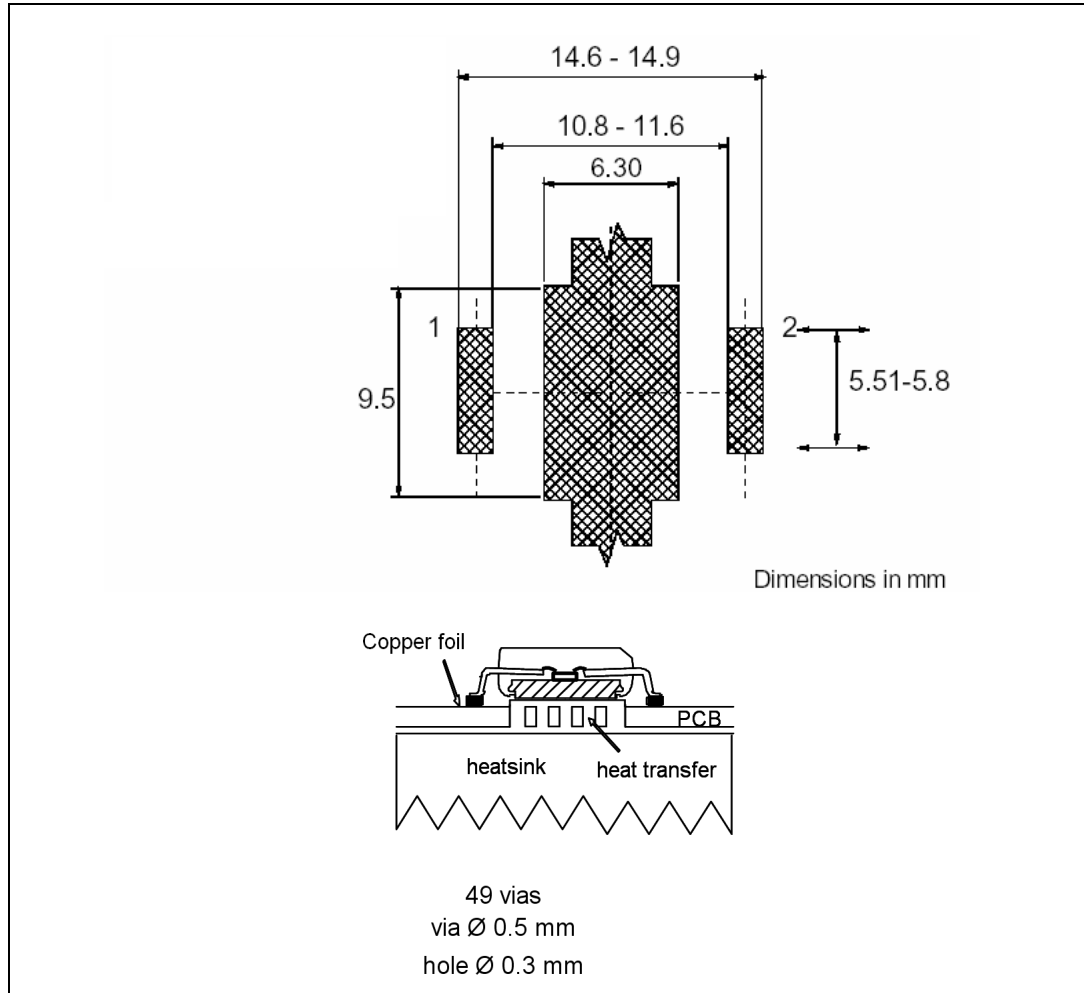
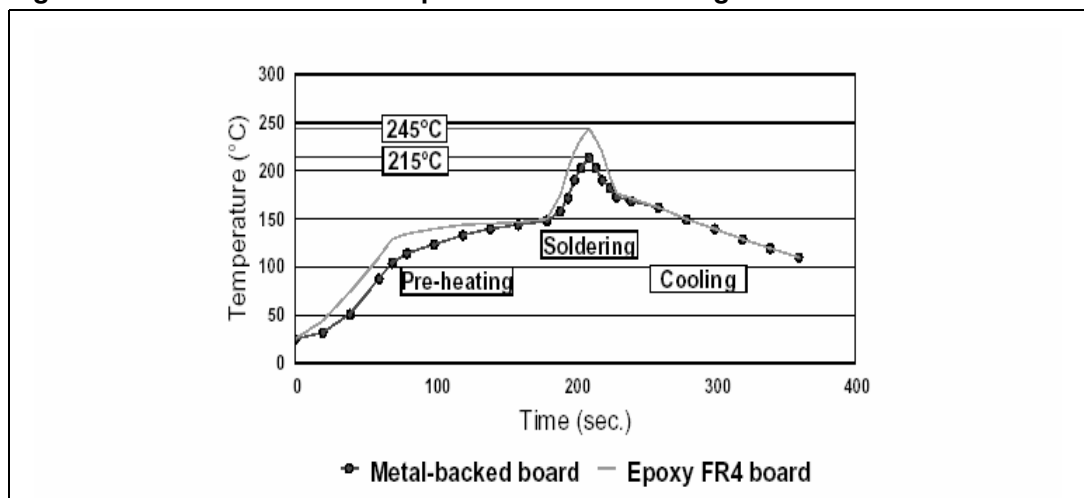


Figure 7. Recommended heat profile / reflow soldering



7 Package mechanical data

In order to meet environmental requirements, ST offers these devices in ECOPACK® packages. These packages have a Lead-free second level interconnect . The category of second level interconnect is marked on the package and on the inner box label, in compliance with JEDEC Standard JESD97. The maximum ratings related to soldering conditions are also marked on the inner box label. ECOPACK is an ST trademark. ECOPACK specifications are available at: www.st.com

Table 4. PowerSO-10RF formed lead (Gull Wing) mechanical data

Dim.	mm.			Inch		
	Min	Typ	Max	Min	Typ	Max
A1	0	0.05	0.1	0.	0.0019	0.0038
A2	3.4	3.5	3.6	0.134	0.137	0.142
A3	1.2	1.3	1.4	0.046	0.05	0.054
A4	0.15	0.2	0.25	0.005	0.007	0.009
a		0.2			0.007	
b	5.4	5.53	5.65	0.212	0.217	0.221
c	0.23	0.27	0.32	0.008	0.01	0.012
D	9.4	9.5	9.6	0.370	0.374	0.377
D1	7.4	7.5	7.6	0.290	0.295	0.298
E	13.85	14.1	14.35	0.544	0.555	0.565
E1	9.3	9.4	9.5	0.365	0.37	0.375
E2	7.3	7.4	7.5	0.286	0.292	0.294
E3	5.9	6.1	6.3	0.231	0.24	0.247
F		0.5			0.019	
G		1.2			0.047	
L	0.8	1	1.1	0.030	0.039	0.042
R1			0.25			0.01
R2		0.8			0.031	
T	2 deg	5 deg	8 deg	2 deg	5 deg	8 deg
T1		6 deg			6 deg	
T2		10 deg			10 deg	

Note: Resin protrusions not included (max value: 0.15 mm per side)

Figure 8. Package dimensions

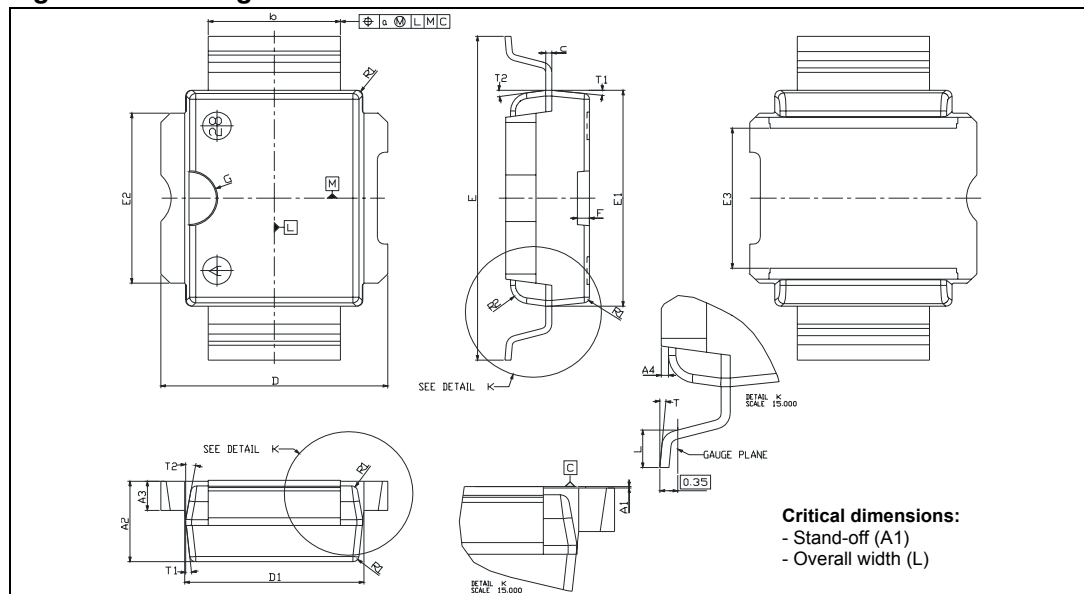
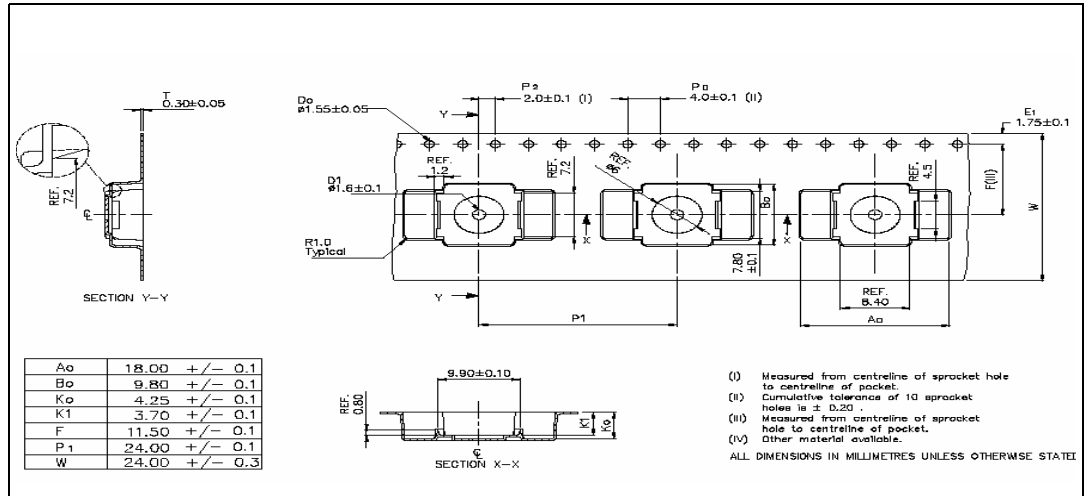


Figure 9. PowerSO-10RF tape & reel



8 Revision history

Table 5. Revision history

Date	Revision	Changes
31-Jul-2007	1	Initial release

Please Read Carefully:

Information in this document is provided solely in connection with ST products. STMicroelectronics NV and its subsidiaries ("ST") reserve the right to make changes, corrections, modifications or improvements, to this document, and the products and services described herein at any time, without notice.

All ST products are sold pursuant to ST's terms and conditions of sale.

Purchasers are solely responsible for the choice, selection and use of the ST products and services described herein, and ST assumes no liability whatsoever relating to the choice, selection or use of the ST products and services described herein.

No license, express or implied, by estoppel or otherwise, to any intellectual property rights is granted under this document. If any part of this document refers to any third party products or services it shall not be deemed a license grant by ST for the use of such third party products or services, or any intellectual property contained therein or considered as a warranty covering the use in any manner whatsoever of such third party products or services or any intellectual property contained therein.

UNLESS OTHERWISE SET FORTH IN ST'S TERMS AND CONDITIONS OF SALE ST DISCLAIMS ANY EXPRESS OR IMPLIED WARRANTY WITH RESPECT TO THE USE AND/OR SALE OF ST PRODUCTS INCLUDING WITHOUT LIMITATION IMPLIED WARRANTIES OF MERCHANTABILITY, FITNESS FOR A PARTICULAR PURPOSE (AND THEIR EQUIVALENTS UNDER THE LAWS OF ANY JURISDICTION), OR INFRINGEMENT OF ANY PATENT, COPYRIGHT OR OTHER INTELLECTUAL PROPERTY RIGHT.

UNLESS EXPRESSLY APPROVED IN WRITING BY AN AUTHORIZED ST REPRESENTATIVE, ST PRODUCTS ARE NOT RECOMMENDED, AUTHORIZED OR WARRANTED FOR USE IN MILITARY, AIR CRAFT, SPACE, LIFE SAVING, OR LIFE SUSTAINING APPLICATIONS, NOR IN PRODUCTS OR SYSTEMS WHERE FAILURE OR MALFUNCTION MAY RESULT IN PERSONAL INJURY, DEATH, OR SEVERE PROPERTY OR ENVIRONMENTAL DAMAGE. ST PRODUCTS WHICH ARE NOT SPECIFIED AS "AUTOMOTIVE GRADE" MAY ONLY BE USED IN AUTOMOTIVE APPLICATIONS AT USER'S OWN RISK.

Resale of ST products with provisions different from the statements and/or technical features set forth in this document shall immediately void any warranty granted by ST for the ST product or service described herein and shall not create or extend in any manner whatsoever, any liability of ST.

ST and the ST logo are trademarks or registered trademarks of ST in various countries.

Information in this document supersedes and replaces all information previously supplied.

The ST logo is a registered trademark of STMicroelectronics. All other names are the property of their respective owners.

© 2007 STMicroelectronics - All rights reserved

STMicroelectronics group of companies

Australia - Belgium - Brazil - Canada - China - Czech Republic - Finland - France - Germany - Hong Kong - India - Israel - Italy - Japan - Malaysia - Malta - Morocco - Singapore - Spain - Sweden - Switzerland - United Kingdom - United States of America

www.st.com

