



DB-55008L-450

RF power amplifier using 1 x PD55008L-E
N-channel enhancement-mode lateral MOSFETs

Preliminary Data

Features

- Excellent thermal stability
- Frequency: 318 - 450 MHz
- Supply voltage: 13.6 V
- Output power: 8 W
- Power gain: 14.6 ± 0.6 dB
- Efficiency: 52 % - 73 %
- BeO free amplifier

Description

The DB-55008L-450 is a common source N-channel enhancement-mode lateral field effect RF power amplifier designed for UHF mobile applications.

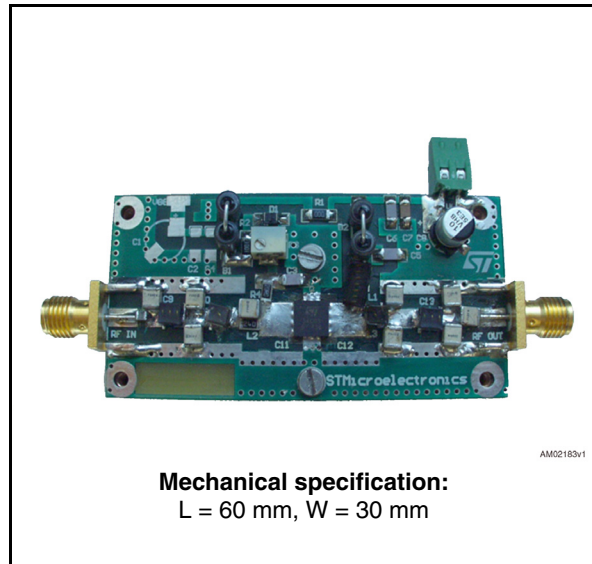


Table 1. Device summary

Order codes
DB-55008L-450

Contents

1	Electrical data	3
	1.1 Maximum ratings	3
2	Electrical characteristics	3
3	Impedance	4
4	Typical performance	5
	4.1 $V_{DD} = 13.6\text{ V}$, $I_{DQ} = 200\text{ mA}$, $P_{IN} = 25\text{ dBm}$	5
5	Test circuit	6
6	Circuit layout	8
7	Mounting indications	9
8	Package mechanical data	10
9	Revision history	12

1 Electrical data

1.1 Maximum ratings

Table 2. Absolute maximum ratings

Symbol	Parameter	Value	Unit
V_{DD}	Supply voltage	13.6	V
I_D	Drain current	1.5	A
T_{CASE}	Operating case temperature	+20 to +85	°C
T_A	Max. ambient temperature	+55	°C

2 Electrical characteristics

$T_A = +25\text{ °C}$, $V_{DD} = 13.6\text{ V}$, $I_{dq} = 200\text{ mA}$, unless otherwise specified

Table 3. RF data

Symbol	Parameters	Test conditions	Min	Typ	Max	Unit
f	Frequency range		318		450	MHz
P_{out}	Output power		7	8		W
G_p	Power gain	$P_{IN} = 25\text{ dBm}$		14.6 ± 0.6		dB
N_D	Efficiency	$P_{IN} = 25\text{ dBm}$		52 - 73		%
H2	2nd harmonic	$P_{IN} = 25\text{ dBm}$			-30	dBc
H3	3rd harmonic	$P_{IN} = 25\text{ dBm}$			-55	dBc

3 Impedance

Figure 1. Impedance graphic

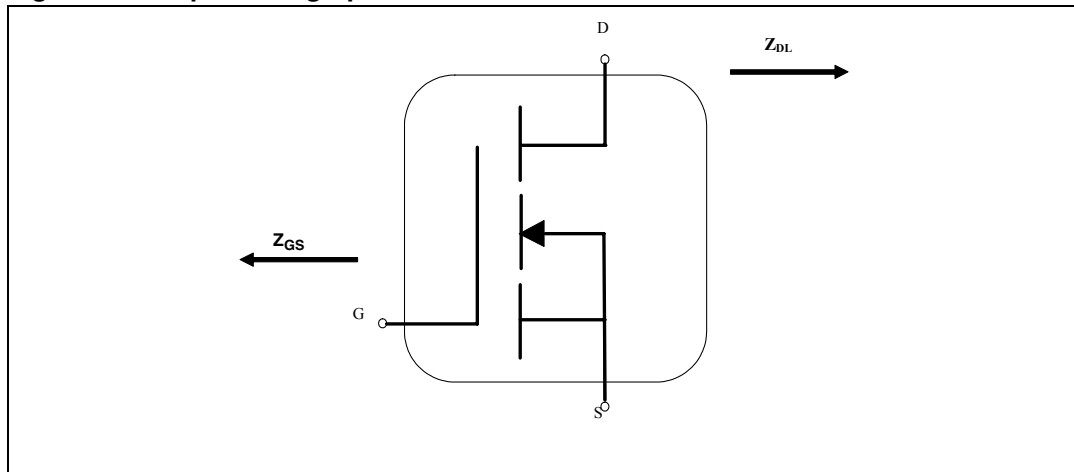


Table 4. Impedance data

f(MHz)	$Z_{GS} (\Omega)$	$Z_{DL} (\Omega)$
310	$5.33 + j1.67$	$3.79 + j4.78$
330	$5.26 + j2.74$	$3.87 + j5.75$
350	$5.54 + j3.39$	$4.29 + j6.45$
370	$6.18 + j3.81$	$5.06 + j7.10$
390	$6.29 + j3.42$	$5.57 + j7.07$
410	$5.26 + j3.00$	$5.57 + j6.63$
430	$3.82 + j3.53$	$4.90 + j6.11$
450	$2.45 + j4.87$	$3.30 + j3.39$
470	$1.75 + j6.52$	$2.21 + j7.40$

4 Typical performance

4.1 $V_{DD} = 13.6\text{ V}$, $I_{DQ} = 200\text{ mA}$, $P_{IN} = 25\text{ dBm}$

Figure 2. Gain vs frequency

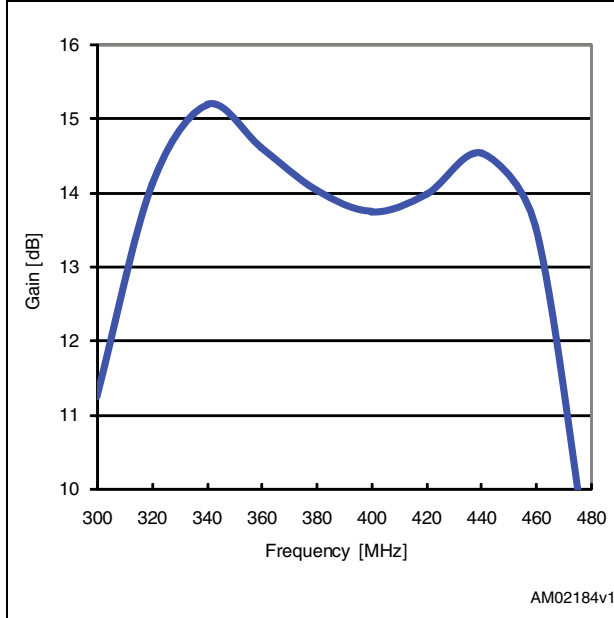


Figure 3. Pout and efficiency vs frequency

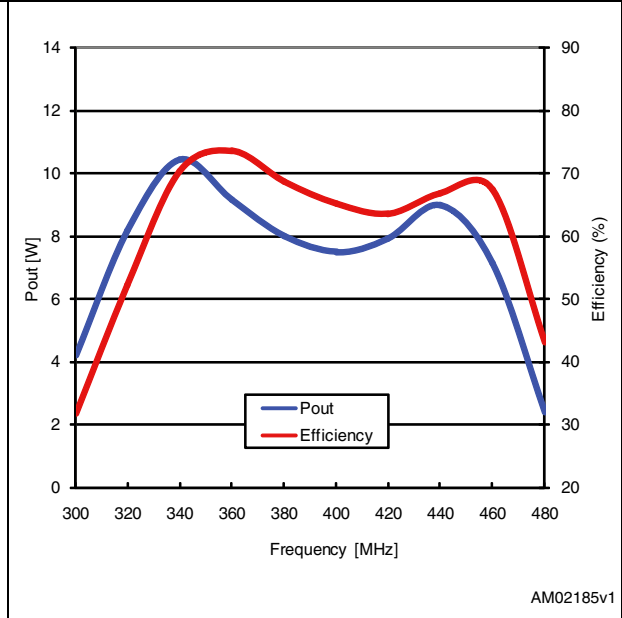


Figure 4. Input return loss vs frequency

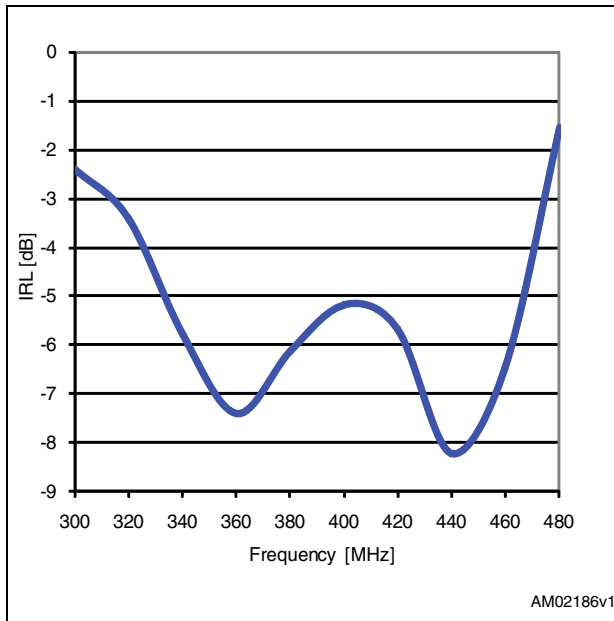


Figure 5. Harmonics vs frequency, Pout = 8 W

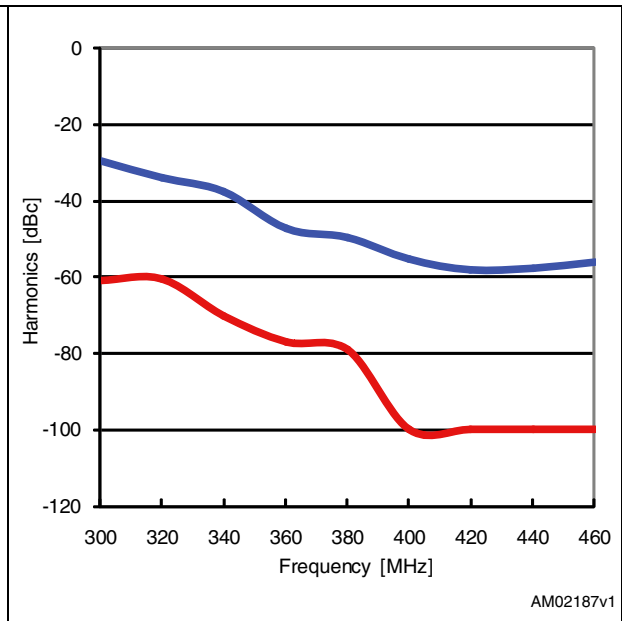
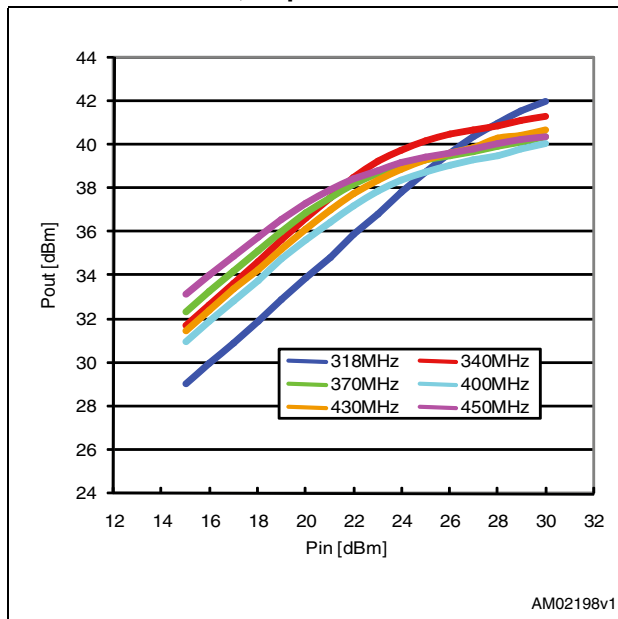


Figure 6. Output power vs input power_Vdd = 13.6 V, Idq = 200 mA



5 Test circuit

Table 5. Test circuit schematic

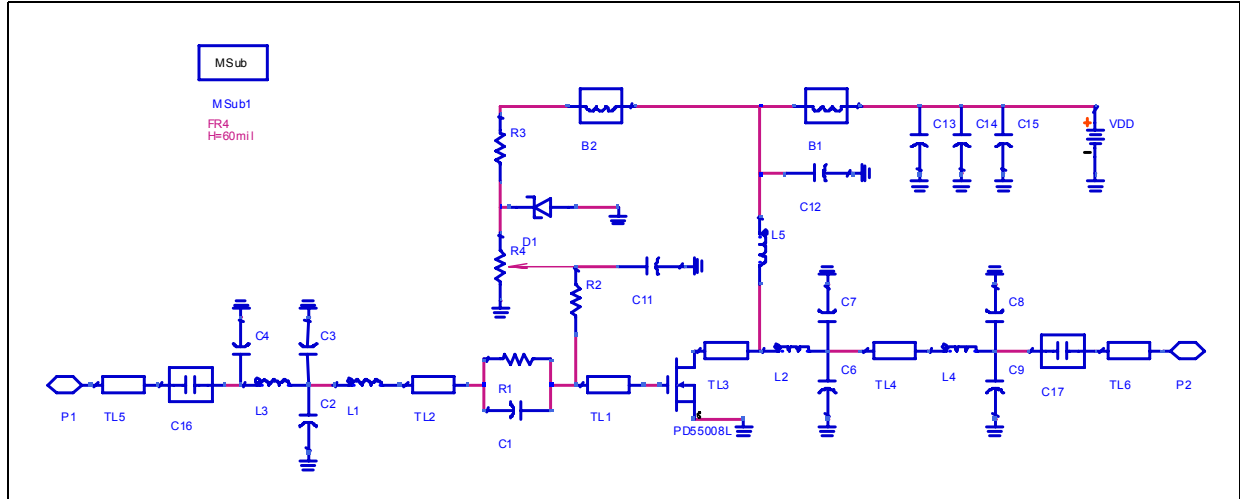


Table 6. Components part list for DB-55008L-450

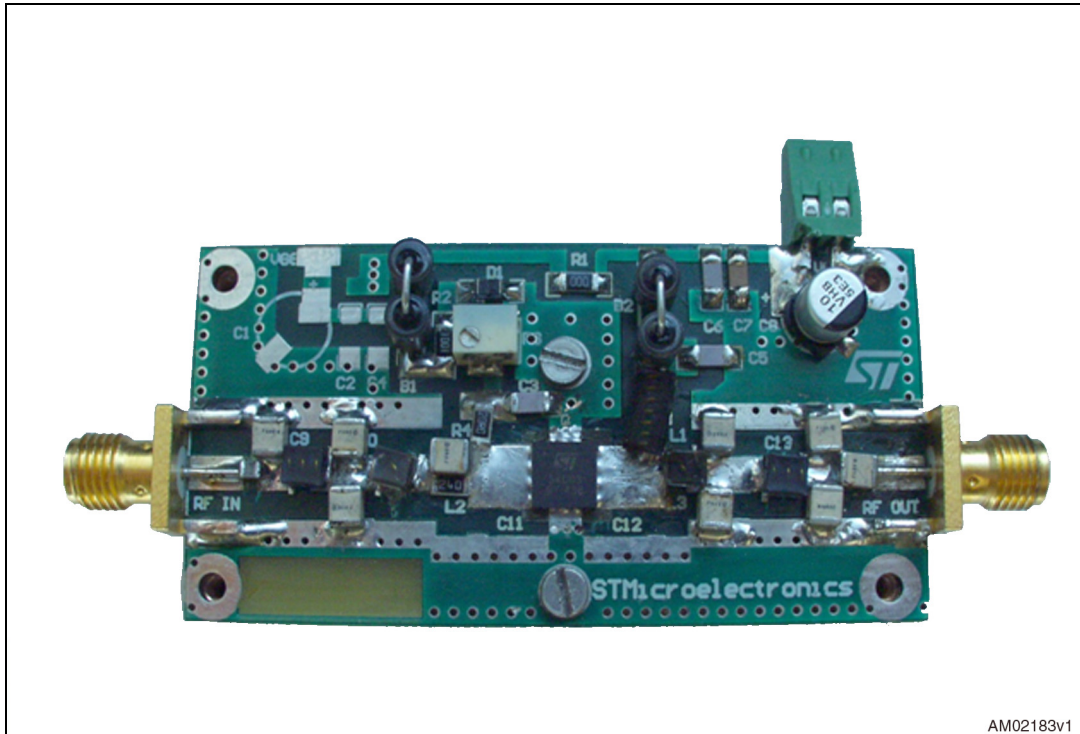
Component ID	Description	Value	Case size	Manufacturer	Part code
B1	Ferrite Bead			Panasonic	EXCELDRC35C
B2	Ferrite Bead			Panasonic	EXCELDRC35C
C1	Capacitor	56 pF	100B	ATC	ATC 100B 560JW
C2,C3	Capacitor	30 pF	100B	ATC	ATC 100B 330JW
C4	Capacitor	20 pF	100B	Murata	ATC 100B 200JW
C6, C7	Capacitor	27 pF	100B	ATC	ATC 100B 270JW
C8	Capacitor	6.8 pF	100B	ATC	ATC 100B 6R8CW
C9	Capacitor	10 pF	100B	ATC	ATC 100B 100JW
C11,C12	Capacitor	120 pF	1206	Murata	GRM42-6C0G121J50
C13	Capacitor	1 nF	1206	Murata	GRM42-6C0G102J50
C14	Capacitor	10 nF	1206	Murata	GRM42-6X7R103K50
C15	Capacitor	10 μF	SMT	Panasonic	EEVHB1V100P
C16	Capacitor	270 pF	100A	ATC	700A271KW150X
C17	Capacitor	220 pF	100B	ATC	ATC 100B 221FW
L1,L2	Inductor	2.5 nH		Coilcraft	A01TJ
L3,L4	Inductor	8 nH		Coilcraft	A03TJ
L5	Inductor	22 nH		Coilcraft	B07TJ
R1	Resistor	24 Ω	1206	Tyco electronics	01623440-1
R2	Resistor	20 Ω	1206	Tyco electronics	01623440-1
R3	Resistor	1kΩ	1206	Tyco electronics	01623440-1

Table 6. Components part list for DB-55008L-450 (continued)

Component ID	Description	Value	Case size	Manufacturer	Part code
R4	Potentiometer	10 k Ω		BOURNS ELECTRONICS	3214W-1-103E
D1	Zener diode	5.1 V		PHILIPS	BZX284C5V1
TL1	Transmission line		W=4.98 mm,L=5.6 mm		
TL2			W=2.8 mm,L=1.3 mm		
TL3			W=4.98 mm,L=5.5 mm		
TL4			W=2.8 mm,L=1.7 mm		
TL5			W=2.8 mm,L=4.6 mm		
TL6			W=2.8 mm,L=4.6 mm		
PD55008L	LDMOS			STMicroelectronics	PD55008L-E
Board	FR-4 THk=0.060" 2OZ Cu both sides				

6 Circuit layout

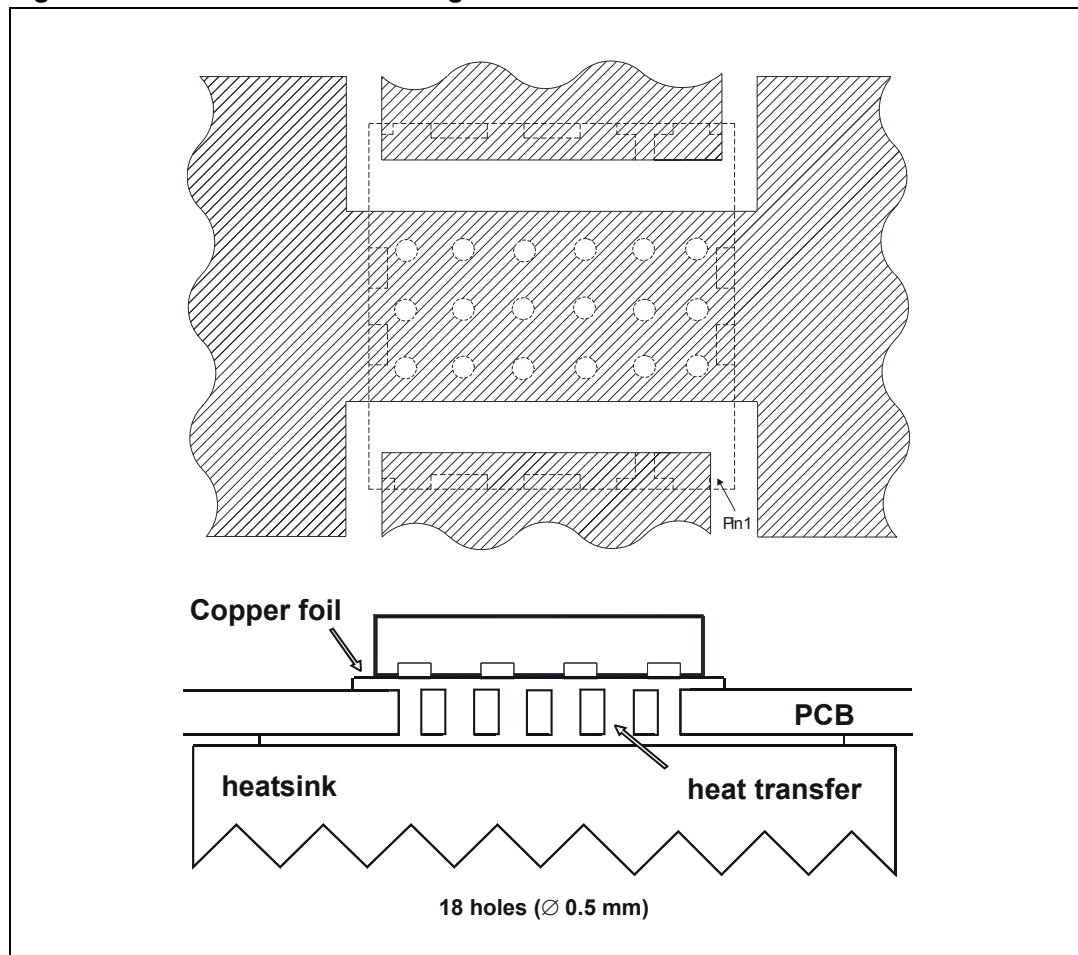
Figure 7. Test fixture component layout



AM02183v1

7 Mounting indications

Figure 8. Standard SMD mounting



8 Package mechanical data

In order to meet environmental requirements, ST offers these devices in different grades of ECOPACK® packages, depending on their level of environmental compliance. ECOPACK® specifications, grade definitions and product status are available at: www.st.com. ECOPACK is an ST trademark.

Table 7. PowerFLAT™ mechanical data

Dim.	mm			inch		
	Min	Typ	Max	Min	Typ	Max
A		0.90	1.00		0.035	0.039
A1		0.02	0.05		0.001	0.002
A3		0.24			0.009	
AA	0.15	0.25	0.35	0.006	0.01	0.014
b	0.43	0.51	0.58	0.017	0.020	0.023
c	0.64	0.71	0.79	0.025	0.028	0.031
D		5.00			0.197	
d		0.30			0.011	
E		5.00			0.197	
E2	2.49	2.57	2.64	0.098	0.101	0.104
e		1.27			0.050	
f		3.37			0.132	
g		0.74			0.03	
h		0.21			0.008	

Figure 9. PowerFLAT™ package dimensions

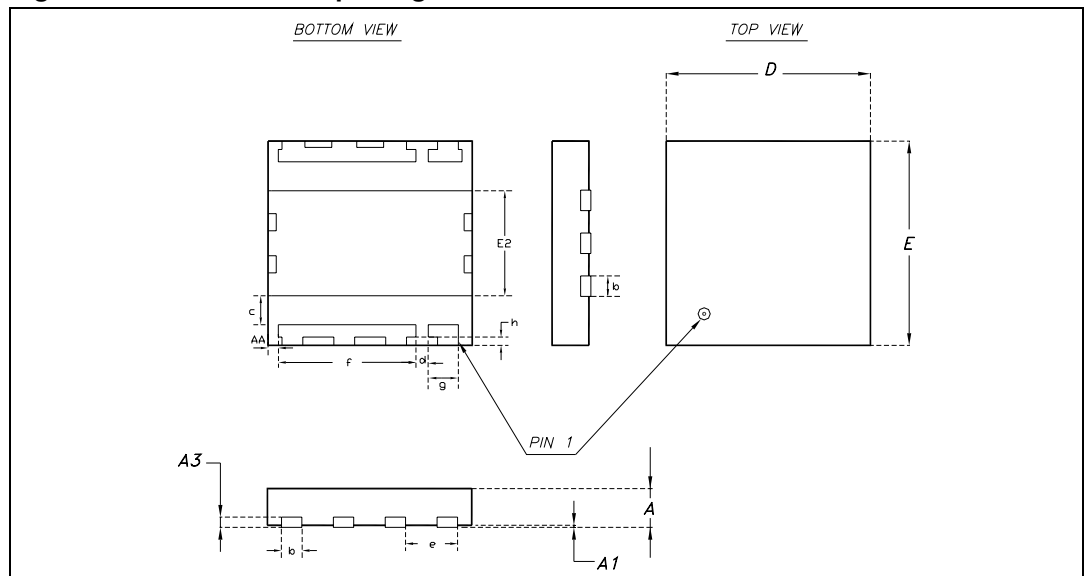
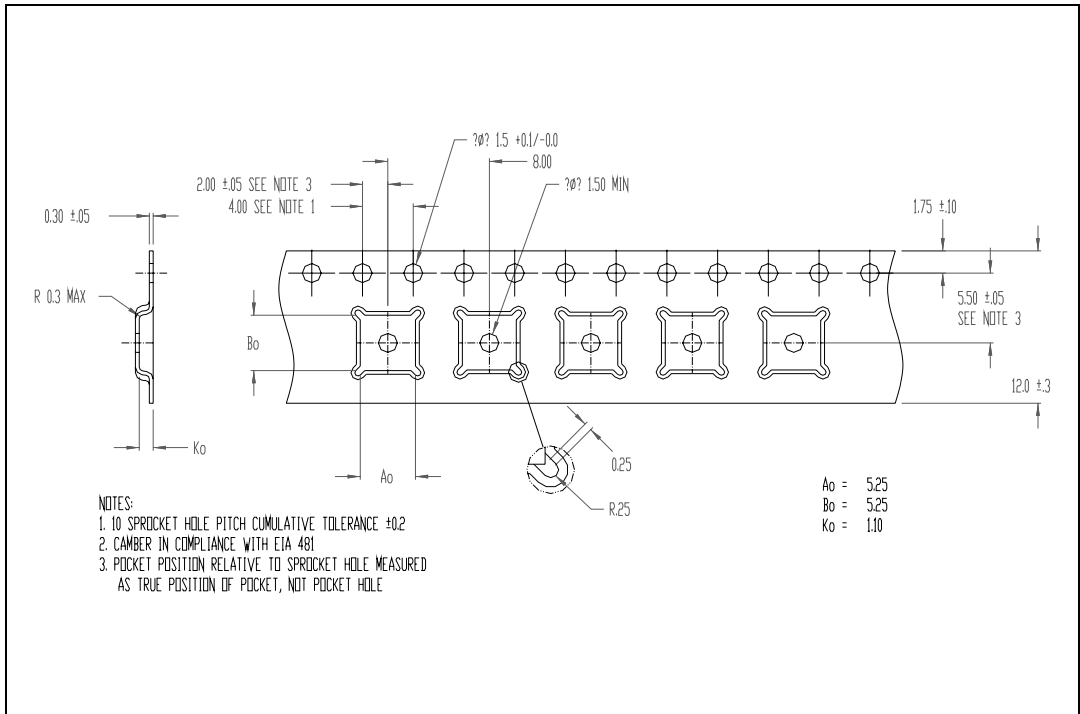


Table 8. PowerFLAT™ tape and reel dimensions

Dim.	mm.			inch		
	Min	Typ	Max	Min	Typ	Max
Ao	5.15	5.25	5.35	0.12	0.13	0.13
Bo	5.15	5.25	5.35	0.12	0.13	0.13
Ko	1.0	1.1	1.2	0.02	0.02	0.02

Figure 10. PowerFLAT™ tape and reel



9 Revision history

Table 9. Document revision history

Date	Revision	Changes
18-Mar-2009	1	First release

Please Read Carefully:

Information in this document is provided solely in connection with ST products. STMicroelectronics NV and its subsidiaries ("ST") reserve the right to make changes, corrections, modifications or improvements, to this document, and the products and services described herein at any time, without notice.

All ST products are sold pursuant to ST's terms and conditions of sale.

Purchasers are solely responsible for the choice, selection and use of the ST products and services described herein, and ST assumes no liability whatsoever relating to the choice, selection or use of the ST products and services described herein.

No license, express or implied, by estoppel or otherwise, to any intellectual property rights is granted under this document. If any part of this document refers to any third party products or services it shall not be deemed a license grant by ST for the use of such third party products or services, or any intellectual property contained therein or considered as a warranty covering the use in any manner whatsoever of such third party products or services or any intellectual property contained therein.

UNLESS OTHERWISE SET FORTH IN ST'S TERMS AND CONDITIONS OF SALE ST DISCLAIMS ANY EXPRESS OR IMPLIED WARRANTY WITH RESPECT TO THE USE AND/OR SALE OF ST PRODUCTS INCLUDING WITHOUT LIMITATION IMPLIED WARRANTIES OF MERCHANTABILITY, FITNESS FOR A PARTICULAR PURPOSE (AND THEIR EQUIVALENTS UNDER THE LAWS OF ANY JURISDICTION), OR INFRINGEMENT OF ANY PATENT, COPYRIGHT OR OTHER INTELLECTUAL PROPERTY RIGHT.

UNLESS EXPRESSLY APPROVED IN WRITING BY AN AUTHORIZED ST REPRESENTATIVE, ST PRODUCTS ARE NOT RECOMMENDED, AUTHORIZED OR WARRANTED FOR USE IN MILITARY, AIR CRAFT, SPACE, LIFE SAVING, OR LIFE SUSTAINING APPLICATIONS, NOR IN PRODUCTS OR SYSTEMS WHERE FAILURE OR MALFUNCTION MAY RESULT IN PERSONAL INJURY, DEATH, OR SEVERE PROPERTY OR ENVIRONMENTAL DAMAGE. ST PRODUCTS WHICH ARE NOT SPECIFIED AS "AUTOMOTIVE GRADE" MAY ONLY BE USED IN AUTOMOTIVE APPLICATIONS AT USER'S OWN RISK.

Resale of ST products with provisions different from the statements and/or technical features set forth in this document shall immediately void any warranty granted by ST for the ST product or service described herein and shall not create or extend in any manner whatsoever, any liability of ST.

ST and the ST logo are trademarks or registered trademarks of ST in various countries.

Information in this document supersedes and replaces all information previously supplied.

The ST logo is a registered trademark of STMicroelectronics. All other names are the property of their respective owners.

© 2009 STMicroelectronics - All rights reserved

STMicroelectronics group of companies

Australia - Belgium - Brazil - Canada - China - Czech Republic - Finland - France - Germany - Hong Kong - India - Israel - Italy - Japan - Malaysia - Malta - Morocco - Singapore - Spain - Sweden - Switzerland - United Kingdom - United States of America

www.st.com